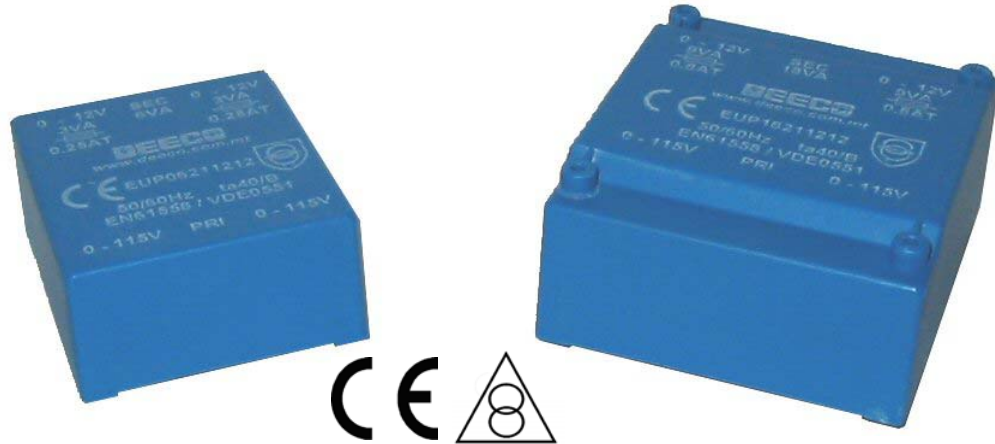




## EUP ENCAPSULATED LOW PROFILE TRANSFORMERS

Safety Isolating to EN61558 ( VDE 0570 )

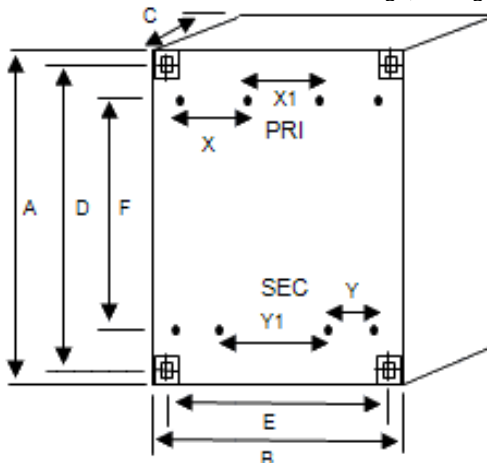


REF.	VA	OUTPUT VOLTS	A	B	C	D	E	F	X	X1	Y	Y1	Kgs.	SIZE
EUP042B206	4	2 x 6V (12V)	53.4	44.4	19.5	47.5	38	35	10	15	5	25	0.15	UI30/7.5
EUP042B209		2 x 9V (18V)												
EUP042B212		2 x 12V (24V)												
EUP042B215		2 x 15V (30V)												
EUP042B218		2 x 18V (36V)												
EUP042B224		2 x 24V (48V)												
EUP062B2xx	6	AS ABOVE	53.4	44.4	22.5	47.5	38	35	10	15	5	25	0.18	UI30/10.5
EUP092B2xx	9	"	53.4	44.4	28.5	47.5	38	35	10	15	5	25	0.25	UI30/16.5
EUP102B2xx	10	"	68	57.4	22.7	62.5	50	45	15	16	10	26	0.28	UI39/8
EUP142B2xx	14	"	68	57.4	24.8	62.5	50	45	15	16	10	26	0.32	UI39/10.2
EUP182B2xx	18	"	68	57.4	28.1	62.5	50	45	15	16	10	26	0.38	UI39/13.5
EUP242B2xx	24	"	68	57.4	31.6	62.5	50	45	15	16	10	26	0.45	UI39/17
EUP302B2xx	30	"	68	57.4	35.6	62.5	50	45	15	16	10	26	0.53	UI39/21
EUP422B2xx	42	"	83.5	70.5	39.0	75	60	53	15	27	10	37	0.72	UI48/17
EUP522B2xx	52	"	86	70.5	48.5	75	60	53	15	27	10	37	0.98	UI48/26
EUP602B2xx	60	"	86	70.5	48.5	75	60	53	15	27	10	37	1.05	UI48/26

Replace "xx" with the required numbers. Example : 30VA 2x 24V = Ref EUP302B224

N.B....Dimensions and weights are approximate and may be changed without prior notice.

Other Ratings, Voltages and Pin Configurations available on request.



- Dual Input Voltages ;  
2 x 115V (230V) 50/60Hz.
- Dual Output for series / parallel connection,
- Double section bobbin offers excellent Isolation,
- 4KV flash tested between input / output
- Ambient temperature 40°C
- Vacuum Encapsulated (self extinguishing )
- Prepared for Class II equipment,
- Additional fixing by self tapping screws,
- IP00

OPTIONS : Individual Packaging,